



THE SAVOR® BUILT-IN COFFEE MACHINE

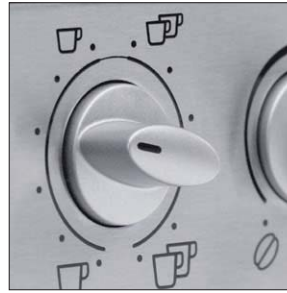
It's the ultimate culinary indulgence. An expression of your exquisite taste. And a stunning addition to any kitchen design. The Savor Built-In Coffee Machine brings a unique air of sophistication to your Thermador kitchen while delivering state-of-the-art coffee-making performance. Now you can enjoy coffeehouse-quality espresso, cappuccino, and just about any coffee drink you can think of, as well as tea, all from the comfort of your own home.

BUILT-IN COFFEE MACHINE FEATURES & BENEFITS



HEIGHT-ADJUSTABLE DISPENSER

Our height-adjustable coffee dispenser adjusts to fit many different cup sizes, and has dual spouts for brewing 2 cups at a time.



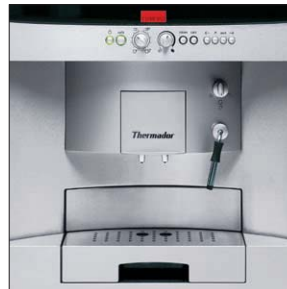
COFFEE CUSTOMIZATION

Choose one of 12 different coffee sizes - small espresso to large coffee, 6 levels of coffee strengths and 8 programmable settings for custom brewing.



LCD DISPLAY

Easy-to-read control panel with an LCD display gives complete digital information on every setting.



DESIGN

The fluid and versatile design of our Savor® Coffee Machine will perfectly coordinate with both of our Thermador product collections.



FROTHING AID

Steam and froth like a professional barista with the attached steam wand. Dispense hot water to prepare hot chocolate or tea in less than 30 seconds.



SAVORSWIRL®

The SavorSwirl brewing system completely engulfs each ground of coffee in water, brewing it under high-pressure for the fullest flavor and greatest aroma.

BUILT-IN COFFEE MACHINE PLANNING INFORMATION

MODEL OPTIONS

The Thermador Savor® Coffee Machine is available with a stainless steel finish and coordinates with both the Professional and Masterpiece® series.

INSTALLATION CONSIDERATIONS

The information in this design guide provides key features, product dimensions, cutouts and installation specifications. Before installing a Thermador Built-in Coffee Machine, be sure to verify the cabinet dimensions and electrical connections. Also, always consult with the installation manual packed with the product for complete details before installing.



WARRANTY

Limited warranty parts and labor (2 year)

See page 298 for additional warranty details.

ELECTRICAL SPECIFICATIONS

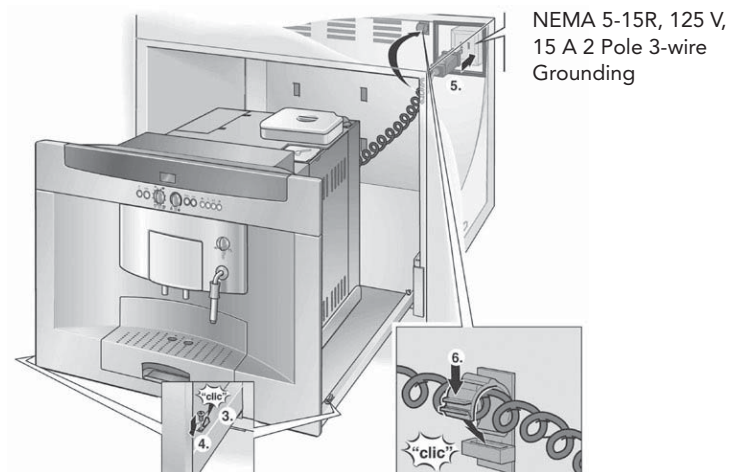
Be sure your appliance is properly installed and grounded by a qualified technician. Installation, electrical connections and grounding must comply with all applicable local codes.

Thermador Built-in Coffee Machines are equipped with a 3-wire plug and are designed to be connected to a 120V AC, 60Hz, single phase power supply.

MODEL	REQUIRED CIRCUIT BREAKER
BICM24CS	120V, 60 Hz , 15 Amp

ELECTRICAL LOCATION

Electrical outlet should be positioned as shown below.



BUILT-IN COFFEE MACHINE 24-INCH

BICM24CS



MASTERPIECE® & PROFESSIONAL

BICM24CS

SPECIFICATIONS

Product Width	23 3/8"
Product Height	18 1/16"
Product Depth	21"
Cutout Width (Min.)	22 1/16"
Cutout Height (Min.)	17 11/16"
Cutout Depth (Min.)	21 5/8"
Electrical Supply	120V AC, 60 Hz
Required Circuit Breaker	15 Amp
Power Cord	Included
Shipping Weight (lbs.)	81

BICM24CS

PERFORMANCE

- Freshly brewed coffee and espresso at the push of a button
- Fully automatic and programmable
- 6 cup size and levels of coffee strength (grind quantity) – smooth to super strong
- 3 coffee temperature settings
- SavorSwirl® system for maximum flavor extraction
- Steam and froth like a professional barista with attached steam wand
- Dispense hot water with just a turn of the dial
- Brewing for one or two cups simultaneously
- Stand-by function: programmable start time, time of day and switch-off time
- Built-in water filter with adjustable water hardness
- Fully automatic rinse program at turn-on and turn-off
- High-end steel grinder with fresh coffee bean container for up to 14 ounces (400g).
- 215 psi (15 bar) thermo block-pump pressure system
- Single portion cleaning
- Automatic cleaning program
- Automatic descaling program

DESIGN

- Brushed stainless steel finish coordinates with Thermador Professional® and Masterpiece® series appliances
- Rotary knobs for selecting all functions
- LCD display
- Height adjustable coffee dispenser
- Separate container for second ground coffee flavor or decaf
- Removable water tank for 1.9 quarts (1.8 liter)
- Easy-to-use multilingual digital display
- Includes: measuring spoon, water filter, 2 cleaning tablets

BUILT-IN COFFEE MACHINE 24-INCH

BICM24CS

IMPORTANT INSTALLATION CONSIDERATIONS

The built-in unit must not have a rear panel behind the appliance.

There must be a gap of at least $1\frac{3}{4}$ " (45 mm) between the wall and base of the unit or the rear panel of the unit situated above.

The ventilation slots and intake openings must not be covered.

Also follow the installation instructions for the appliance situated above or below.

The ideal installation height for the fully automatic espresso machine, measured from the floor to the lower edge of the appliance, is $37\frac{1}{4}$ " (950 mm)

COFFEE MACHINE & CUTOUT DIMENSIONS

