

CIT36XKB 36-INCH FREEDOM® INDUCTION COOKTOP

MASTERPIECE® SERIES, DARK GREY WITH STAINLESS STEEL FRAME

Thermador 
REAL INNOVATIONS FOR REAL COOKS®



Also Available:
CIT36XKBB - Dark Grey, Frameless

FEATURES & BENEFITS

- ★ - Largest fully usable cooking surface on the market
- ★ - 48 induction elements deliver more than 63% usable cooking surface than the competition
- ★ - Place up to 4 pots or pans anywhere on the cooktop surface in any configuration. If you need to move your pot to another location, the cooktop will transfer all of your programmed settings to the new position of the pan.
- ★ - Featuring the first full color touchscreen induction user interface on the market, offering better control and faster access to cooking settings
- ★ - One of the most powerful elements in its class with a 4,600 W PowerBoost® lets you boil water faster than with any other cooking technology

ACCESSORIES (OPTIONAL)



CHEFSPAN13
16" Round Skillet



TEPPAN1321
Griddle Style Teppanyaki
13" x 21"



TEPPAN1314
Griddle Style Teppanyaki
13" x 14"

GENERAL PROPERTIES

Controls	Touch Controls
----------	----------------

ELEMENT PERFORMANCE

Power of Full Surface Heating Element	3,600 W
Power of Full Surface Heating Element (In Boost)	4,600 W
Burners With Booster	All

COOKWARE SIZE (MAXIMUM 4 POTS)

Minimum Cookware Size*	3" x 3"
Maximum Cookware Size*	13" x 21"

TECHNICAL DETAILS

Watts (W)	7,200 W
Circuit Breaker (A)	40 A
Volts (V)	208 / 240 V
Frequency (Hz)	50 / 60 Hz
Plug Type	No Plug
Conduit	37" Flexible 3-Wire
Energy Source	Electric

DIMENSIONS & WEIGHT

Overall Appliance Dimensions (HxWxD) (in)	3/8" + 3 7/8" x 37" x 21 1/4"
Required Cutout Size (HxWxD) (in)	3 7/8" x 34 3/4" x 20"
Minimum Distance From Counter Front (in)	2 1/2"
Minimum Distance From Rear Wall (in)	2 3/8"
Net Weight (lbs)	69 lbs

WARRANTY

Limited Warranty, Entire Appliance, Parts and Labor	2 Year
Limited warranty for glass ceramic surface / electronic elements and switches; parts	3rd to 5th Year

* Cookware less than 3" will not be recognized. Theoretical maximum cookware size is 13" x 27". Cookware must have a flat bottom in order to utilize the full surface.

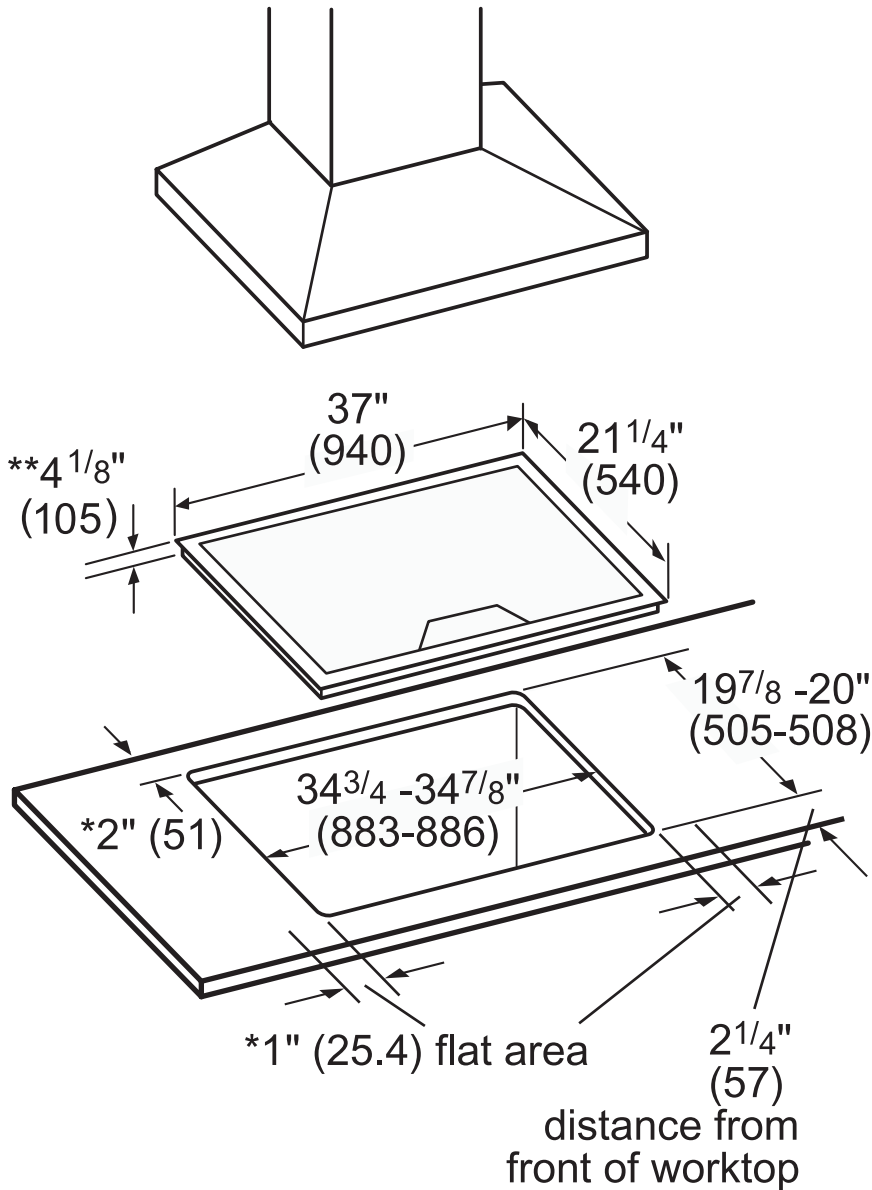


★ THERMADOR EXCLUSIVE

CIT36XKB
36-INCH FREEDOM® INDUCTION COOKTOP
 MASTERPIECE® SERIES, DARK GREY WITH STAINLESS STEEL FRAME



36-INCH COOKTOP AND CUTOUT DIMENSIONS



- * Minimum distance from cutout to the wall
- ** Recessed depth (includes 1" air clearance)

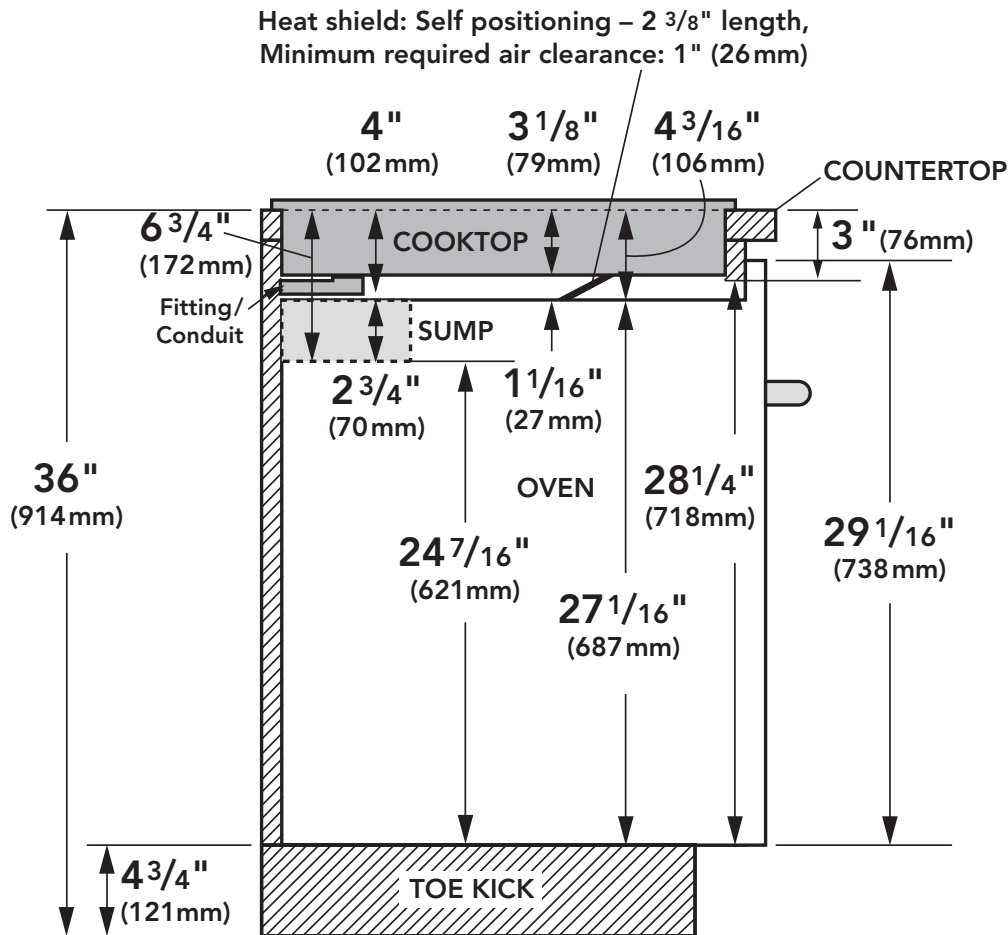
Measurements in inches (mm in brackets)

NOTE: The work surface should be horizontal and level. The stability of the countertop should be confirmed even after making the cutout.

CIT36XKB
36-INCH FREEDOM® INDUCTION COOKTOP
 MASTERPIECE® SERIES, DARK GREY WITH STAINLESS STEEL FRAME



INSTALLATION ABOVE A THERMADOR BUILT-IN OVEN



Note: Dimensions based on standard countertop height (36" with 4 3/4" toekick including base plate).

The built-in oven can be installed below the induction cooktop as long as there is an air clearance of 1" between the bottom of the cooktop and the top of the oven.

Sump applies to 30-inch Wall Ovens only.

These warranties give you specific legal rights and you may have other rights that vary from state to state. Full warranty and limited warranty from date of installation. For complete warranty details, refer to your Use & Care manual, or ask your dealer.

Specifications are for planning purposes only. Refer to installation instructions and consult your countertop supplier prior to making counter opening. Consult with a heating and ventilation engineer for your specific ventilation requirements. For the most detailed information, refer to installation instructions accompanying product or write to Thermador indicating the model number. Specifications are correct at time of printing. Thermador reserves the right to change product specifications or design without notice. Some models are certified for use in Canada. Thermador is not responsible for products that are transported from the U.S. for use in Canada.