





BUILT-IN COFFEE MACHINE

24-INCH

For those who love to entertain, a dinner party is never complete without espresso, coffee, or tea. Take your guests on a culinary journey they'll never forget with the Thermador® Built-In Fully Automatic Coffee Machine. With a sleek design, stainless steel finish, full-color LCD screen, flush installation, settings for large cups, hidden milk container and front access to coffee beans and water, it's every coffee connoisseur's—and tea lover's—dream.



KITCHEN DESIGN BY: HOOPER PATTERSON



★ COFFEE CUSTOMIZATION

Perfect for frequent selections, coffee customization settings store up to 8 personalized beverages with names so family members and houseguests can program their favorite drinks—from a single shot espresso, to tea, to extra-large cappuccinos.

★ AUTOMATIC DOUBLE SHOT BEVERAGES

For days that require an added dose of verve, Automatic Double Shot delivers an extra shot of espresso to select beverages. Enjoy a consistently strong flavor and aroma at the touch of a button.

★ AUTOMATIC CLEANING

Cleanup has never been easier. Using both hot water and steam, the machine features a fully automatic rinse program at turn-on and turn-off, so it's always ready for the next fresh-tasting pour.

★ CERAMIC DISK GRINDER

Enjoy freshly ground coffee for every cup with an exclusive Ceramic Disk Grinding System. Ceramic Disks deliver quality performance and minimize noise allowing for a smooth, consistent texture and flavor in every cup.

LCD DISPLAY

Full color LCD display illustrates beverage selection, including size and temperature control.

★ THERMADOR® EXCLUSIVE

TCM24RS

24-INCH BUILT-IN COFFEE MACHINE

MASTERPIECE® & PROFESSIONAL SERIES



FEATURES & BENEFITS

- Indulge yourself with up to 10 different beverages from your favorite caffè latte, cappuccino or your rich-flavor espresso
- Easy to read control panel with color LCD display gives complete digital information over every setting
- The fluid and versatile design of our Built-in Coffee Machine will perfectly coordinate with both of our Thermador product collections
- Prepare your favorite coffee drink like a professional barista with a simple touch of a button
- Store up to eight different beverages for quick and easy preparation of your favorite beverage

ACCESSORIES - INCLUDED

Stainless Steel Milk Container, Measuring Spoon

ACCESSORIES - OPTIONAL

30" Stainless Steel Trim Kit	TCMTK30RS
Stainless Steel Milk Container	11005967
Descaling Tablets	00311823
Cleaning Tablets	00311820
Water Filter	12008246

WARRANTY

Limited Warranty, Entire Appliance, Parts and Labor	2 Year
---	--------

GENERAL PROPERTIES

Modes	Ristretto, Espresso, Espresso Macchiato, Coffee, Cappuccino, Latte Macchiato, Caffé Latte, Milk Froth, Warm Milk, Hot Water, Steam Clean, Clean, Descaling
Settings	One or Two Cups, Adjustable Cup Sizes, Brewing Temperature, Coffee Strength, Grind Adjustment
Programming	Personalized Beverages, Language, Light and Display Brightness, Water Hardness, Temperature, Time, Demo Mode, Child-proof Lock, Key Sounds
Sensor Alerts	Water Level, Bean Container, Drip Tray, Coffee Grounds
Beverages Available	10
Coffee Sizes	15
Memory Beverages	8
Double Cup Option	Yes
Coffee Strength Adjustment	6 Levels
Automatic Cleaning	Yes
Water Container Capacity (gal.)	5/8 gallon
Bean Container	1 lb.
Stainless Steel Milk Container	17 oz.
Powder Coffee	1 Scoop

DESIGN ELEMENTS

Display	Multilingual LCD Color Screen
Beverage Dispenser	Adjustable
Flush Installation	Yes
Milk Container	Stainless Steel

TECHNICAL DETAILS

Watts (W)	1,600 W
Circuit Breaker (A)	15 A
Current (A)	10 V
Volts (V)	120 V
Frequency (Hz)	60 Hz
Plug Type	NEMA 5-15R, 2-Pole 3-Wire Grounding
Power Cord Length (in)	39"
Energy Source	Electric
Pump Pressure (Bar)	275 psi (19 bar)

DIMENSIONS & WEIGHT

Overall Appliance Dimensions (HxWxD) (in)	17 7/8" x 23 3/8" x 14"*
Net Weight (lbs)	43 lbs*

*Not including transformer

24-INCH BUILT-IN COFFEE MACHINE

PLANNING INFORMATION

MODEL OPTIONS

The Thermador Built-in Coffee Machine is available with a stainless steel finish and coordinates with both the Professional and Masterpiece® series. An optional trim kit is available for 30" cutout installations.

INSTALLATION CONSIDERATIONS

The information in this design guide provides key features, product dimensions, cutouts and installation specifications. Before installing a Thermador Built-in Coffee Machine, be sure to verify the cabinet dimensions and electrical connections. Also, always consult with the installation manual packed with the product for complete details before installing.

IMPORTANT

Make sure there is adequate ventilation. To do this, remove the rear panel or cut out an opening of 19 11/16" x 15 3/4" (500 x 400 mm). There must be a gap of at least 1 3/8" (35 mm) between the wall and base of the unit or the rear panel of the unit situated above.

The ventilation slots and intake openings must not be covered. Also follow the installation instructions for the appliance situated above or below.

The ideal installation height for the fully automatic espresso machine, measured from the floor to the lower edge of the appliance, is 37 1/2" to 57" (95 – 145 cm).

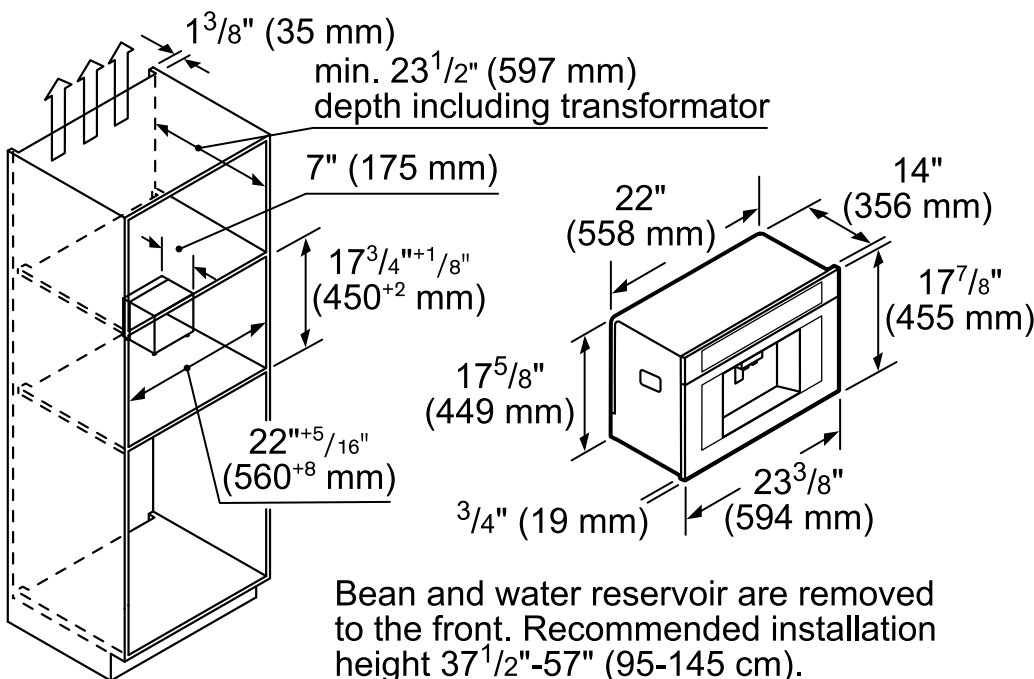
ELECTRICAL SPECIFICATIONS

Be sure your appliance is properly installed and grounded by a qualified technician. Installation, electrical connections and grounding must comply with all applicable local codes.

Thermador Built-in Coffee Machines are equipped with a NEMA 5-15R, 2-Pole 3-Wire plug and are designed to be connected to a 120V AC, 60Hz, single phase power supply.

MODEL	REQUIRED CIRCUIT BREAKER
TCM24RS	120 V, 60 Hz, 15 A

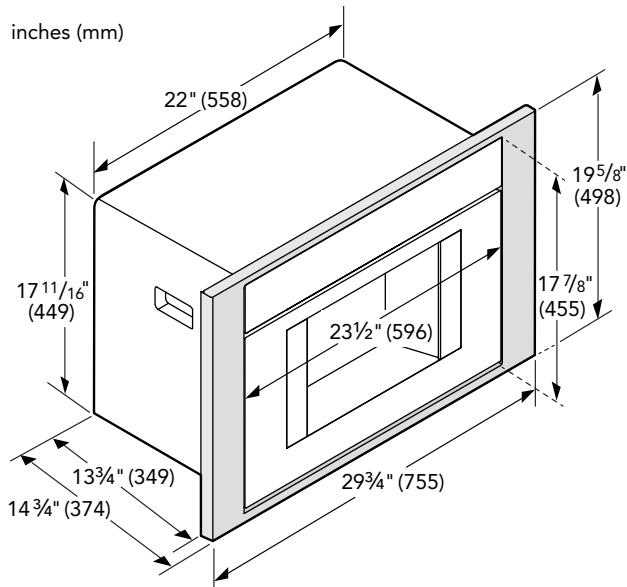
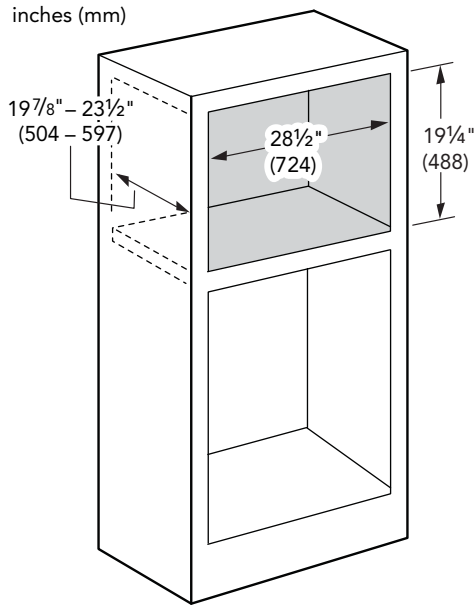
COFFEE MACHINE & CUTOUT DIMENSIONS



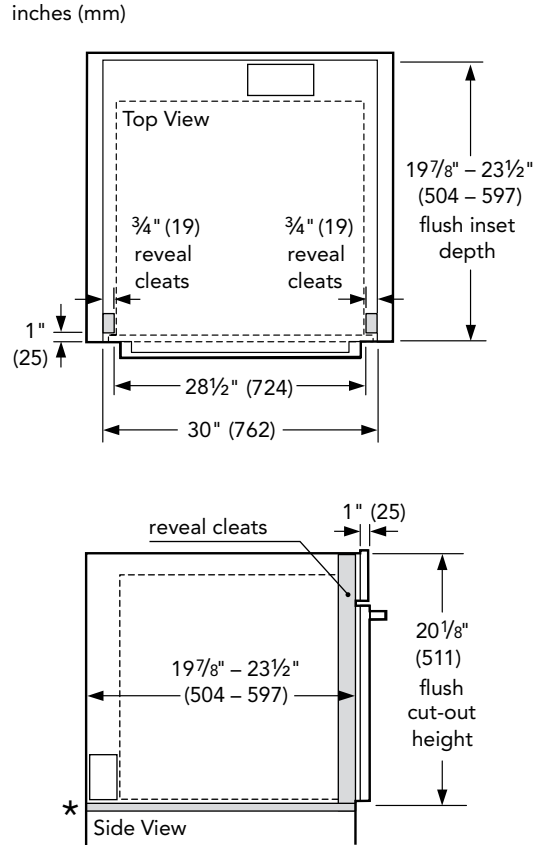
24-INCH BUILT-IN COFFEE MACHINE

INSTALLATION

CUTOUT DIMENSIONS WITH OPTIONAL 30-INCH TRIM KIT TCMTK30RS



FLUSH INSTALL WITH OPTIONAL 30-INCH TRIM KIT TCMTK30RS



NOTE: * Flush installation requires a 5/16" (8 mm) high x 28¹/₂" (724 mm) wide x 22¹/₂" (571 mm) deep baseplate underneath the unit body.

EXPERIENCE THERMADOR®






Thermador is committed to supporting you throughout all of your culinary endeavors. Whether you would like to research our products, learn more about the use and care of your appliances, or spice up your next dinner party with new and unique recipes, explore a world of resources at thermador.com.

Take Us With You

Visit the App Store or Google Play to download our apps, including the Thermador Kitchen Ideas & Lookbook and the Thermador Kitchen Design and Planning Guide.

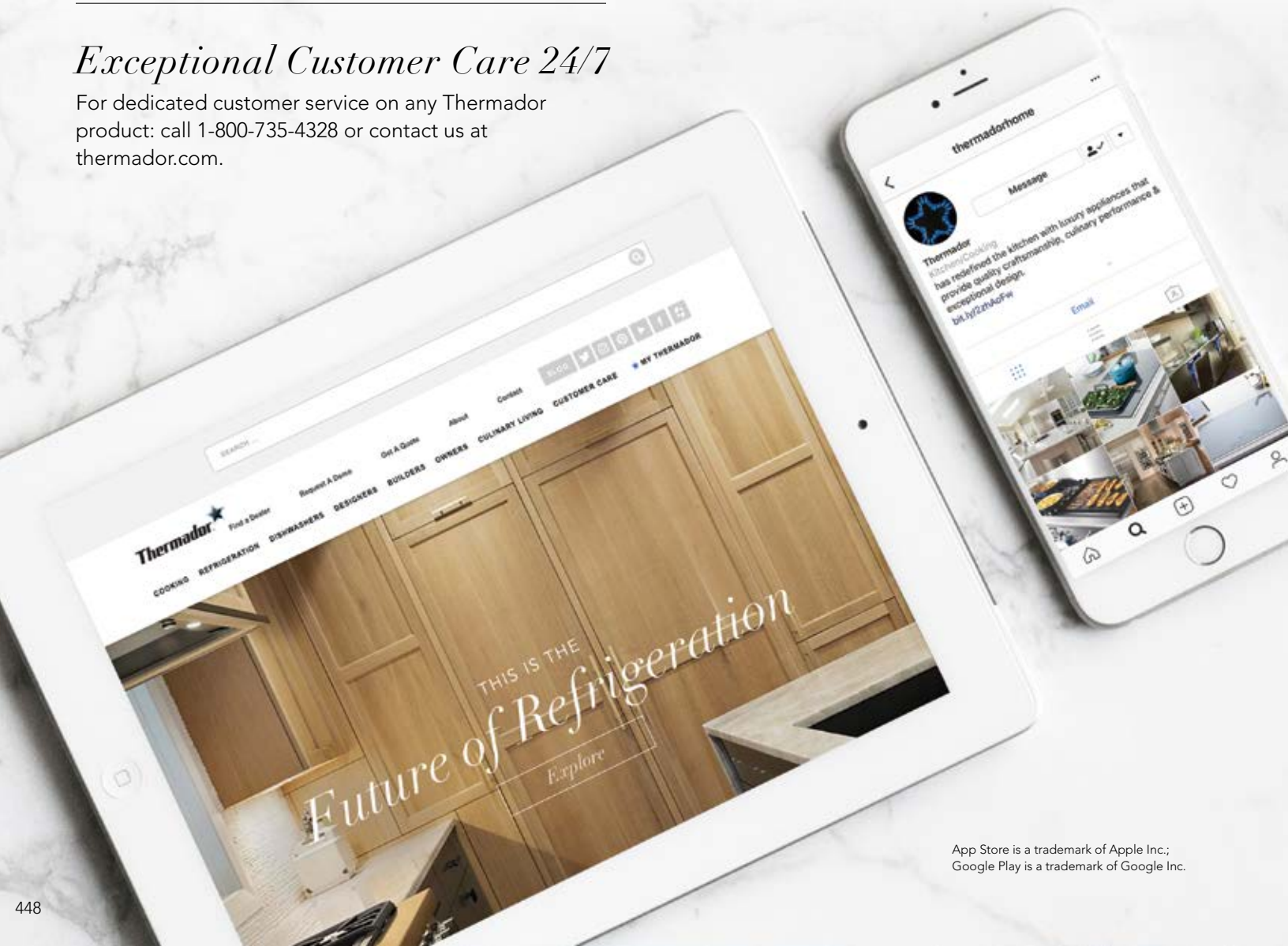


Follow Us:

-  thermador.com/blog
-  [@thermador](https://www.facebook.com/thermador)
-  [@thermadorhome](https://www.instagram.com/thermadorhome)
-  [@thermador](https://twitter.com/thermador)
-  [@thermador](https://www.pinterest.com/thermador)
-  [youtube.com/thermadorhome](https://www.youtube.com/thermadorhome)

Exceptional Customer Care 24/7

For dedicated customer service on any Thermador product: call 1-800-735-4328 or contact us at thermador.com.



App Store is a trademark of Apple Inc.;
Google Play is a trademark of Google Inc.

PRODUCT WARRANTY

SUMMARY

PROFESSIONAL RANGES

Limited warranty, entire appliance, parts and labor (2 year)

PROFESSIONAL RANGETOPS

Limited warranty, entire appliance, parts and labor (2 year)

BUILT-IN OVENS

Limited warranty parts and labor (2 year)

INDUCTION COOKTOPS

Limited warranty, entire appliance, parts and labor (2 year)

GAS COOKTOPS

Limited warranty, entire appliance, parts and labor (2 year)

ELECTRIC COOKTOPS

Limited warranty, entire appliance, parts and labor (2 year)

VENTILATION

Limited warranty, entire appliance, parts and labor (2 year)

WARMING DRAWERS

Limited warranty, entire appliance, parts and labor (2 year)

BUILT-IN MICROWAVES

Limited warranty, entire appliance, parts and labor (2 year)

REFRIGERATION

Limited two-year warranty, entire appliance, parts and labor on any part of the refrigerator that fails because of a manufacturing defect

Limited warranty for sealed refrigeration system*; parts and labor (3rd to 6th year)

Limited warranty for sealed refrigeration system*; parts only (7th to 12th year)

*Sealed refrigeration system includes compressor, evaporator, condenser, dryer/strainer and connection tubing

DISHWASHERS

Limited warranty, entire appliance, parts and labor (2 year)

Limited warranty for microprocessor or printed circuit board; parts only (3rd to 5th year)

Limited warranty for racks (does not include rack components); parts only (3rd to 5th year)

Limited warranty for rust-through on inner tub liner; parts only (Lifetime)

BUILT-IN COFFEE MACHINES

Limited warranty, entire appliance, parts and labor (2 year)



These warranties give you specific legal rights and you may have other rights that vary from state to state. Limited Warranty from Date of Purchase. For complete warranty details, refer to your Use & Care manual, or ask your dealer.

Specifications are for planning purposes only. Refer to installation instructions and consult your countertop supplier prior to making counter opening. Consult with a heating and ventilation engineer for your specific ventilation requirements. For the most detailed information, refer to installation instructions accompanying product or write to Thermador® indicating the model number. Specifications are correct at time of printing. Thermador reserves the right to change product specifications or design without notice. Some models are certified for use in Canada. Thermador is not responsible for products that are transported from the U.S. for use in Canada.

©2017 BSH Home Appliances Corporation.



1 800 735 4328

USA THERMADOR.COM
CANADA THERMADOR.CA

©2017 BSH HOME APPLIANCES CORPORATION. ALL RIGHTS RESERVED.
digital ebook-11/17